

ICON 100 SERIES

COMPACT REFRIGERATION CASE & COLDROOM CONTROLLERS

SPECIFICATION DATA



CONTROLLER FUNCTIONS

Front Panel

The front panel, as shown in the figures below, includes 4 keys:

- The UP key (increase)
- The DOWN key (decrease)
- The SET key (setting)
- The MANUAL DEFROST key

It also has a three-digit display with three signal LEDs for compressor, defrost and fan.

GENERAL

The Honeywell Icon 100 Series Refrigeration Controllers measure, display and control the temperature of refrigeration cases and coldrooms. The Icon 100 Series can read temperatures from up to two thermistor probes (thermostat and defrost probes), and have relay outputs for compressor, defrost, fan and alarm.

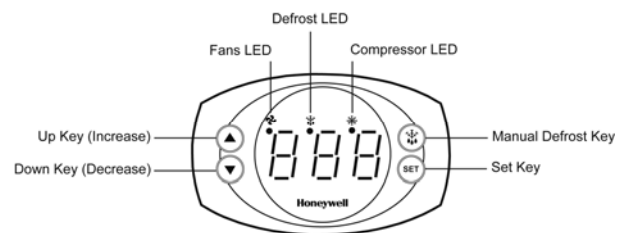
The operating parameters are configurable using a four-button keypad.

FEATURES

- Relay outputs (compressor, defrost, fan and alarm).
- Heating function on 111S/SR and 121S/SR.
- Internal real-time clock on all 'SR' models for up to 4 scheduled defrost cycles per 24 hours.
- Displays status for alarm, network, defrost and setting mode.
- Honeywell Genus® network - Can be linked to a Honeywell supervisor for monitoring and logging.
- 'HotKey' – Allows for multiple controller programming.
- Dual Probe types (NTC 2k and PT1000).

APPLICATIONS

- Refrigerated Cases & Coldrooms
- Food Retailers
- Food Processing Factories
- Distribution Warehouses



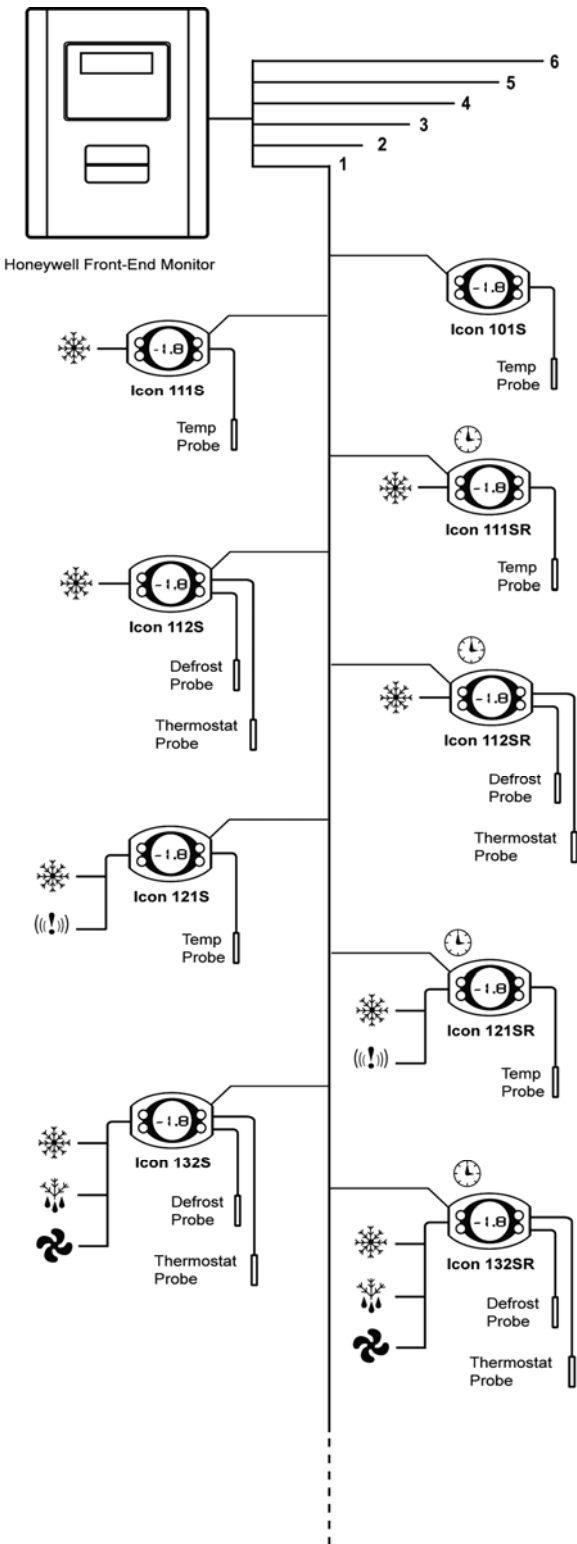
Honeywell Genus® Network

The Icon 100 controller has an optional Honeywell Genus® communication module (Part Number: ICON-COMMS), shown below which allows logging onto a Honeywell Genus® Network for remote alarm monitoring and defrost control.



Network Schematic

The diagram below shows how Icon is connected to the Honeywell Genus® Network, where a front-end monitoring system can analyse and report the status of each linked controller and alert the operator should they go into alarm mode, e.g. over temperature or probe fault.



Programmable HotKey

The Icon controller also has an optional programmable HotKey (Part Number: ICON-KEY1). It is possible to upload the parameter configurations of the controller to the HotKey, or vice-versa.



Quick-Glance Function Guide

The following table shows the different functions that the Icon range represents, including probe number and relay type.

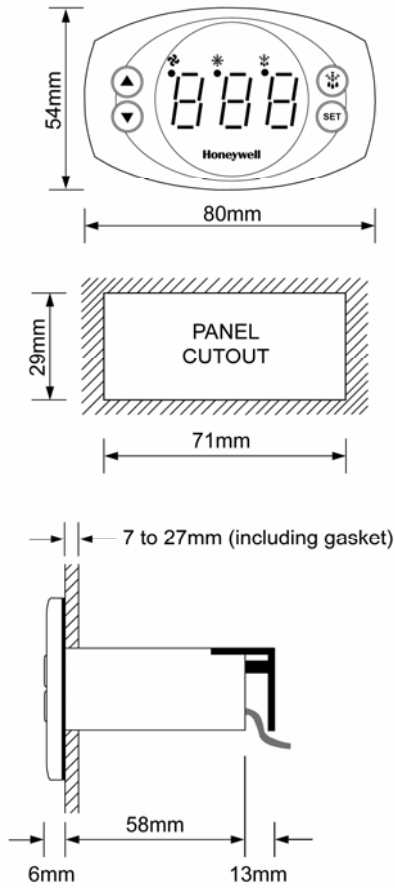
Part No.	Thermostat Probe	Defrost Probe	Compressor Relay	Defrost Relay	Fan Relay	Alarm Relay	Real time Clock	Heating Function
Icon 101S	•							
Icon 111S	•		•					•
Icon 111SR	•		•				•	•
Icon 112S	•	•	•					
Icon 112SR	•	•	•				•	
Icon 121S	•		•			•		•
Icon 121SR	•		•			•	•	•
Icon 132S	•	•	•	•	•			
Icon 132SR	•	•	•	•	•		•	

SPECIFICATIONS

Technical Data

	Part Number								
	ICON-101S	ICON-111S	ICON-111SR	ICON-112S	ICON-112SR	ICON-121SR	ICON-121SR	ICON-132S	ICON-132SR
Housing									
Self extinguishing PC/ABS	•	•	•	•	•	•	•	•	•
Power Supply									
AC 230Vac ~ 4VA 50/60 Hz	•	•	•	•	•	•	•	•	•
Display									
3 digits, 14.2 mm high red LED's	•	•	•	•	•	•	•	•	•
Resolution									
1 °C	•	•	•	•	•	•	•	•	•
Accuracy									
± 1°C	•	•	•	•	•	•	•	•	•
Probe Type									
2 x thermistor PT1000 / 2k NTC probe				•	•			•	•
1 x thermistor PT1000 / 2k NTC probe	•	•	•			•	•		
Temperature Range									
-60 °C to +200 °C (-76 °F to 392 °F)	•	•	•	•	•	•	•	•	•
Compressor Output									
SPST relay AC 240V 6(3)A		•	•	•	•	•	•	•	•
Defrost Output									
SPST relay AC 240V 6(4)A								•	•
Fan Output									
SPST relay AC 250V 6(4)A								•	•
Alarm Output									
SPST relay AC 250V 6(4)A						•	•		
Real Time Clock									
24 Hour, 1 minute increment			•		•		•		•
Network Type (Optional)									
Honeywell Genus® Network	•	•	•	•	•	•	•	•	•
IP Rating									
IP52	•	•	•	•	•	•	•	•	•
Operation Conditions									
Ambient Operating Temp, 0 °C to +50 °C (+32 °F to 122 °F)	•	•	•	•	•	•	•	•	•
Ambient Storage Temp, -20 °C to +80 °C (-4 °F to +176 °F)	•	•	•	•	•	•	•	•	•
Relative Humidity, +30.....+85% non condensing	•	•	•	•	•	•	•	•	•

Dimensions



ORDERING INFORMATION

Part Number	Description
ICON-101S	Single probe thermometer
ICON-111S	1 relay, 1 probe (with heating function)
ICON-111SR	1 relay, 1 probe, real-time clock (with heating function)
ICON-112S	1 relay, 2 probes
ICON-112SR	1 relay, 2 probes, real-time clock
ICON-121S	2 relays, 1 probe (with heating function)
ICON-121SR	2 relays, 1 probes, real-time clock (with heating function)
ICON-132S	3 relays, 2 probes
ICON-132SR	3 relays, 2 probes, real-time clock
ICON-KEY1	Programmable HotKey for Icon 100 Series
TP002K	2k Ω NTC Probe with 7m. (22.75ft.) cable.
TPPT1K	PT1000 PTC Probe with 7m. (22.75ft.) cable.

Honeywell

Automation & Control Solutions

Refrigeration Control
 Newhouse Industrial Estate
 Motherwell
 Lanarkshire ML1 5SB
 Phone: (44) 01698 481698
 Fax: (44) 01698 481699
www.honeywell.com/refrigeration

Subject to change without notice. Printed in United Kingdom

EN0B-0019UK07 R0905